

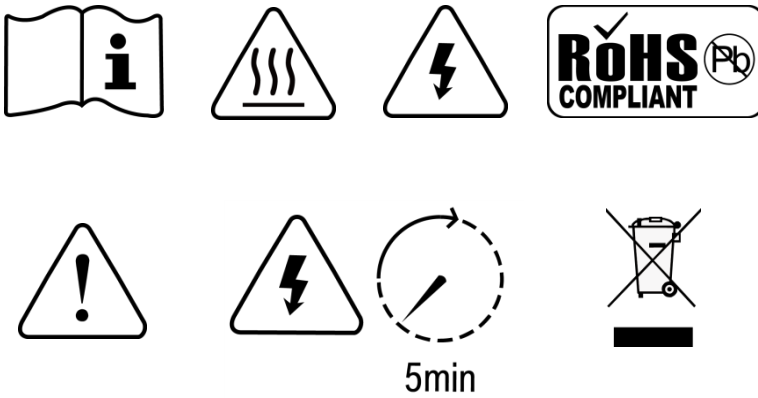
LMP1218

Master Power Unit



Version: A1.1

Date: May. 2020



WARNING : FIRE HAZARD

SUITABLE FOR MOUNTING ON CONCRETE OR OTHER

NON- COMBUS TABLE SURFACE ONLY

CAUTION : THE DC AND AC BREAKER MUST HAVE BEEN

TURNED OFF BEFORE SERVICING

MADE IN CHINA

Disclaimer

Unless specially agreed in writing, IDM Technologie.

- Take no warranty as to the accuracy, sufficiency of suitability of any technical or other information provided in this manual or other documentation.
- Assumes no responsibility or liability for loss or damage, whether direct, indirect, consequential or incidental, which might arise out of the use of such information
- IDM Technologie offer standard warranty with its products, taking no responsibility for direct or indirect loss due to equipment failure.

About this Manual

This manual describes our product features and provides procedure of installations. This manual is for anyone intending to install our equipment.

General Instruction

Thanks for choosing our products and this manual were suitable for LMP1218 Master Power Unit.

This chapter contains important safety and operation instructions. Read and keep this User Guide well for later reference.

The LMP1218 Master Power Unit needs to be installed by professionals and please pay attention to the following points prior to installation:

- 1> Please check the input voltage or voltage of battery is same to the nominal input voltage of this unit.
- 2> Please connect positive terminal “+” of battery to “+” input of this unit.
- 3> Please connect negative terminal “-” of battery to “-” input of this unit.
- 4> Please use the shortest cable to connect and ensure the secure connection.
- 5> While connecting, please secure the connection and avoid short cut between positive terminal and negative terminal of battery, which will cause damage of battery.
- 6> This unit will have high voltage inside. Only authorized electrician can open the case.
- 7> This unit WAS NOT designed to use in any life retaining equipment.

Index

1. General Safety Instruction	1
1.1 Safety Instruction	1
1.2 General Precaution	1
1.3 Precaution regarding battery operation.....	1
2. LMP1218 INTRODUCTION	2
2.1 Features.....	2
2.2 LED Display	3
3. KEY FEATURES AND FUNCTIONS	4
3.1 Battery Charger of Auxiliary Battery.....	4
3.2 Power Supply Mode	4
3.3 Voltage Charging Relay (VCR)	4
3.4 Battery Low Voltage Protection (BLVP)	5
3.5 Manual Battery Switch	5
3.6 DC Distributor.....	5
4. STRUCTURE AND INSTALLATION	6
4.1 LMP1218 Master Power Unit	6
4.2 Installation.....	8
4.3 Fuse specification	9
5. OPERATION	10
5.1 Configuration on LMP1218.....	10
5.1.1 Dip switch setting	10
5.1.1.1 Dip switch for VCR mode and Working mode.....	10
5.1.1.2 Dip switch for battery setting.....	11
5.1.2 External Battery Switch.....	11
5.2 Daily Maintenance.....	12

1. General Safety Instruction

1.1 Safety Instruction

As dangerous voltages and high temperature exist within the LMP1218 Master Power Unit, only qualified and authorized maintenance personnel are permitted to open and repair it. Please make sure the unit is turned off before open and repair it.

This manual contains information concerning the installation and operation of LMP1218 Master Power Unit. All relevant parts of the manual should be read prior to commencing the installation. Please follow the local stipulation meantime.

Any operation against safety requirement or against design, manufacture, safety standard, and are out of the manufacturer warranty.

1.2 General Precaution

1.2.1 Do not expose to dust, rain, snow or liquids of any type, it is designed for indoor use. DO NOT block off ventilation, otherwise the LMP1218 Master Power Unit would be overheating.

1.2.2 To avoid fire and electric shock, make sure all cables selected with right gauge and being connected well. Smaller diameter and broken cable are not allowed to use.

1.2.3 Please do not put any inflammable goods near to this unit.

1.2.4 Never place this unit directly above batteries, gases from a battery will corrode and damage LMP1218 Master Power Unit.

1.2.5 Do not place battery over LMP1218 Master Power Unit.

1.3 Precaution regarding battery operation

1.3.1. Use plenty of fresh water to clean in case battery acid contacts skin, clothing, or eyes and consult with doctor as soon as possible.

1.3.2. The battery may generate flammable gas during charging. NEVER smoke or allow a spark or flame in vicinity of a battery.

1.3.3. Do not put the metal tool on the battery, spark and short circuit might lead to explosion.

1.3.4. REMOVE all personal metal items such as rings, bracelets, necklaces, and watches while working with batteries. Batteries can cause short-circuit current high enough to make metal melt, and could cause severe burns.

2. LMP1218 INTRODUCTION

2.1 Features

- Smart battery charger 12V18A
 - ✧ Active PFC charging
 - ✧ Temperature compensated Charging
 - ✧ Voltage compensated Charging
- 16 Fused DC outputs, including water pump and lighting central control.
- Battery charging relay 12V 60A
- Battery Low Voltage Protection
- Built in Battery Switch to isolate the battery when in storage
- Support external remote battery switch
- Control one water pump with two tank probes

2.2 LED Display

Table 1 LED indication

NO.	LED	Color	Status	Description
1	CHG	Green	ON	Battery charged
			Flashing (flash once every second)	Battery charging
			OFF	Battery discharge
2	Dischg	Green	ON	Battery discharging
			OFF	Battery charging
3	Fault	Red	Flash once per cycle	Auxiliary battery voltage low
			Flash twice per cycle	Auxiliary battery voltage high
			Flash 3 times per cycle	Unit Over Temperature
			Flash 4 times per cycle	Bulk charge timeout
4	CHG/ Dischg	Green	Both ON	Power supply

3. KEY FEATURES AND FUNCTIONS

3.1 Multiple inputs

LMP master power unit may have multiple sources at one time. These sources include the Shore power, Solar panel and Alternator (Motor battery). There is priority among these sources, means only one of them will be dominated to charge auxiliary battery, even all of them are available. The priorities are listed below.

Table 2 Energy sources priority

AC Mains	✓	✓	✓		
Solar panel	✓	✓		✓	✓
Alternator (Motor battery)	✓		✓	✓	
Dominating Source	AC mains	AC mains	AC mains	Alternator (Motor battery)	Solar panel

3.2 Battery Charger of Auxiliary Battery

The charger automatically starts when the appropriate qualified power is connected, either from grid, generator. With multiple charging stages (soft start-bulk absorption float-recycle), LMP1218 is designed to fully charge battery quickly. To guarantee the optimal charging for batteries of different states, the LMP1218 features Microprocessor-controlled charging algorithm. The Float and Recycle charging programs guarantees the battery being charged properly upon being connected for a longer period.

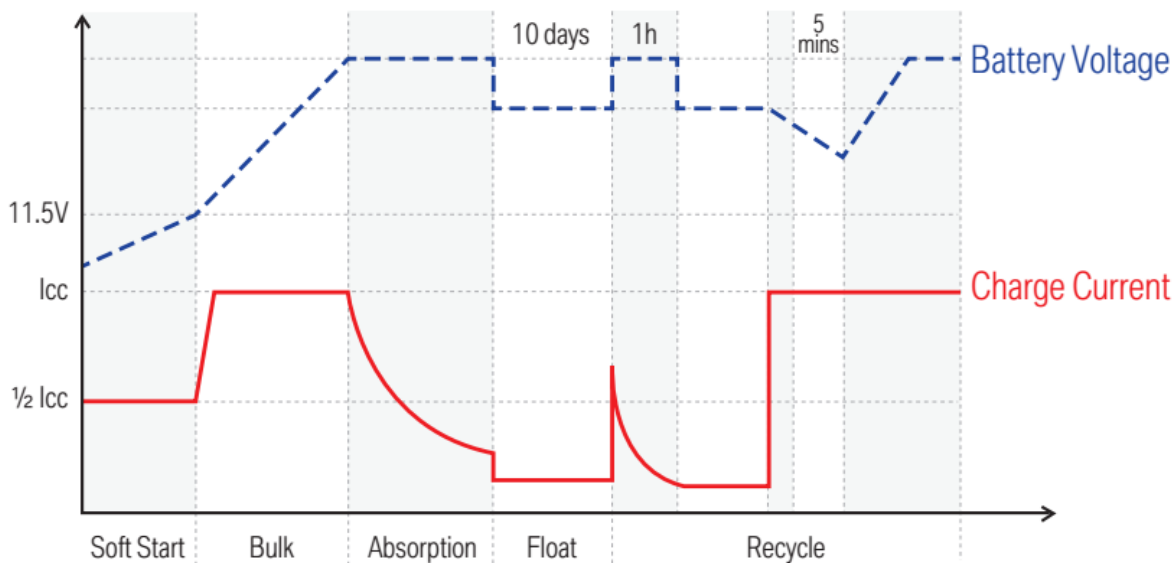


Figure 1 Charging algorithm for lead-acid battery

Lithium battery charging

The LMP1218 can be configured to charge Lithium battery.

3.3 Power Supply Mode

If no battery is attached to LMP1218 unit, it will work as a power supply automatically with a 12.8VDC output.

3.4 Voltage Charging Relay (VCR)

LMP1218 Master Power Unit has a built-in voltage charging relay (VCR), which can get power from alternator to supply the system whilst the engine is running.

LEAD ACID BATTERY -- When the motor battery reaches 13.4VDC with threshold time delay, the VCR will be engaged to allow power from alternator to supply the system. VCR will continue being engaged until the motor battery's voltage drops under 12.8VDC.

LiFePO4 LITHIUM BATTERY -- When the motor battery reaches 14.0VDC with threshold time delay, the VCR will be engaged to allow power from alternator to supply the system. The VCR will continue being engaged until the motor battery's voltage drops under 13.5VDC.

The VCR will be disengaged when the auxiliary battery's voltage reached 14.8V.

NOTE: If vehicle is fitted with a smart charging system (Variable Voltage or Temperature Compensating), the VCR charge system may not function correctly and a DC-DC Charging system is recommended

Please consult your local dealer or installer for further information.

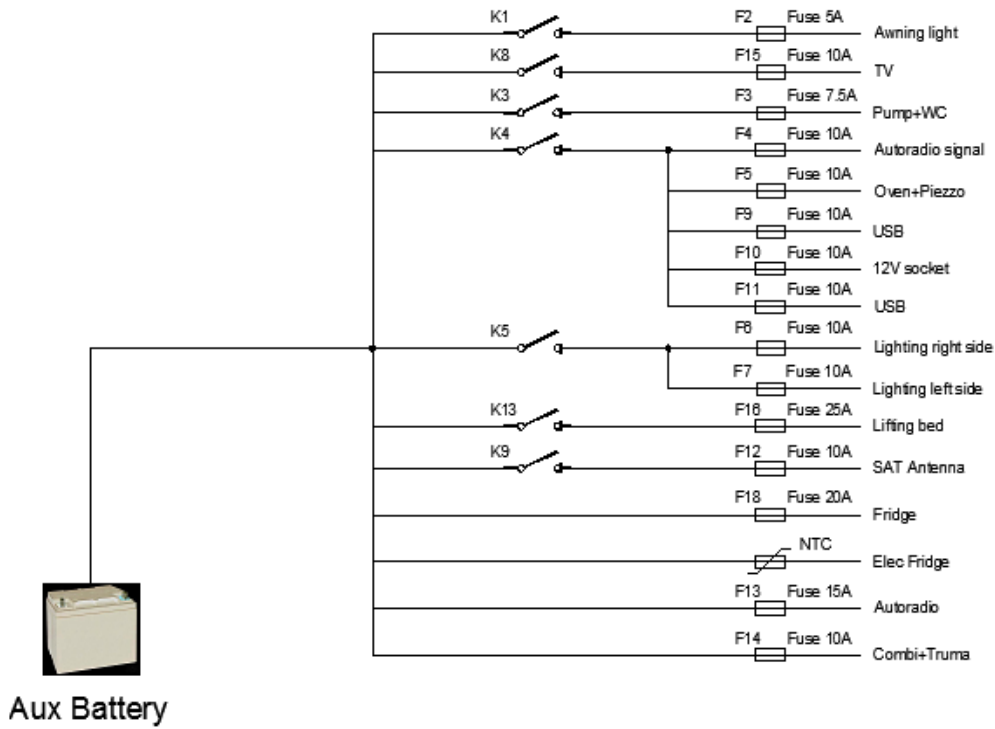
3.5 Battery Low Voltage Protection (BLVP)

LMP1218 master power unit has a built-in low voltage protection relay. It will disconnect the load once the battery voltage drops below the threshold voltage. The default setting is 10.5VDC.

3.6 Manual Battery Switch

The LMP1218 unit offers a convenient way to switch off the output of the auxiliary battery on-board. It protects the auxiliary battery from being drained by electronics on board, completely isolating the battery.

3.7 DC Distribution



4. STRUCTURE AND INSTALLATION

4.1 LMP1218 Master Power Unit

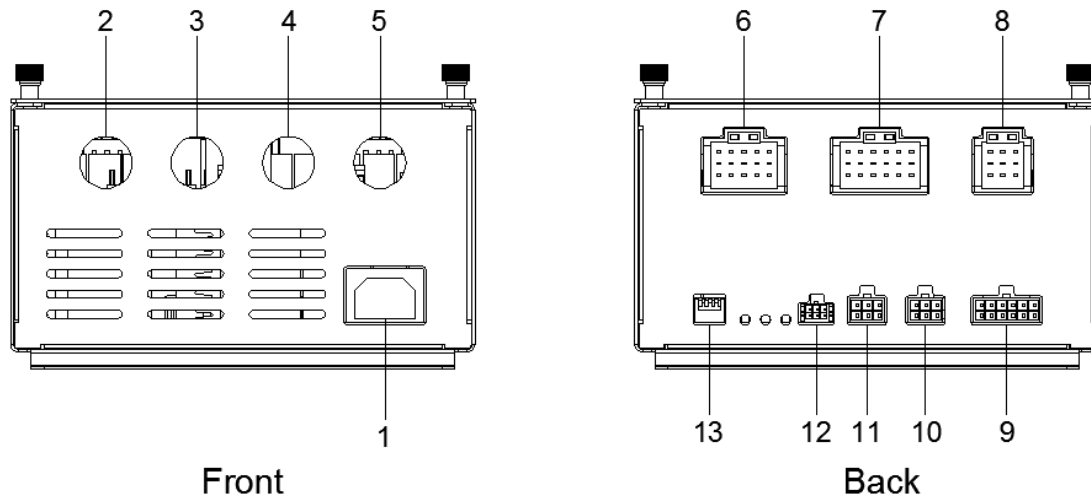


Figure 3 Connectors at front and back

Table 3 Connector description

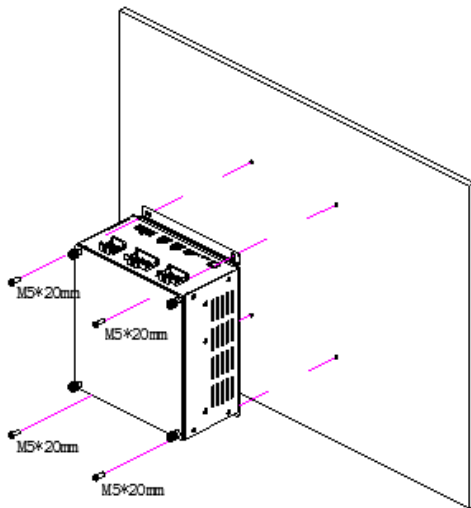
No.	DEFINITION	LABEL	DESCRIPTION
1	AC input port	/	AC input port
2	/	Fridge	Connect to fridge
3	/	Lifting Bed	Connect to lifting bed
4	/	Motor BAT	Connect to Motor BAT
5	/	AUX BAT	Connect to AUX BAT
6	Loads	[1]1	POS : Awning lamp
		[1]2	GND :
		[1]3	POS : Info D+ Fridge
		[1]4	POS : Side lights
		[1]5	GND : Side lights
		[1]6	POS : Info D+ SAT antenna
		[1]7	POS : Pump + WC
		[1]8	GND : Pump + WC
		[1]9	POS : Info D+ Preheating pump
		[1]10	POS : Autoradio Signal
		[1]11	GND :
		[1]12	GND :
		[1]13	POS : Oven + Piezzo
		[1]14	GND : Oven +Piezzo
		[1]15	GND : Buzzer Footstep
7	Loads	[2]1	POS : Lighting Right side
		[2]2	GND : Lighting Right side

		[2]3	POS : Buzzer Footstep		
		[2]4	POS : Lighting Left side		
		[2]5	POS : Lighting Left side		
		[2]6	GND: In/Out Footstep (COM)		
		[2]7	POS : Power Tablet		
		[2]8	GND : Power Tablet		
		[2]9	Out Footstep (Normally Open)		
		[2]10	POS + Lifting bed		
		[2]11	GND - Lit électrique		
		[2]12	In Footstep (Normally Open)		
		[2]13	POS + Plug 12V Kitchen		
		[2]14	GND - Plug 12V Kitchen		
		[2]15	M1 - Footstep		
		[2]16	POS + Plug USB Kitchen/Bedroom		
		[2]17	GND - Plug USB Kitchen/Bedroom		
		[2]18	Footstep		
		8	Loads	[3]1	POS : Permanent Autoradio
				[3]2	GND :
[3]3	POS : SAT antenna				
[3]4	POS : Combi + TRUMA/ALDE control				
[3]5	GND : Combi + TRUMA/ALDE control				
[3]6	GND : Elec Fridge				
[3]7	POS : TV				
[3]8	GND : TV				
[3]9	POS : Elec. Fridge				
9	Signal terminal	[7]1	D+ (active high +BAT		
		[7]2	Switch ON/OFF (Main)		
		[7]3	D+ (active down GND)		
		[7]4			
		[7]5	Sidelights (active high +BAT)		
		[7]6	+APC (active high +BAT)		
		[7]7	Sidelights (active down GND)		
		[7]8	+APC (active down GND)		
		[7]9	Switch ON/OFF (NO)		
		[7]10	Footboard End of stroke (COM)		
		[7]11	Footboard End of stroke (NO)		
		[7]12			
10	Grey water tank	[6]1	CW-REF		
		[6]2	CW-25%		
		[6]3	CW-50%		
		[6]4	CW-75%		
		[6]5	CW-100%		
		[6]6			
11	Fresh water tank	[5]1	CW-REF		

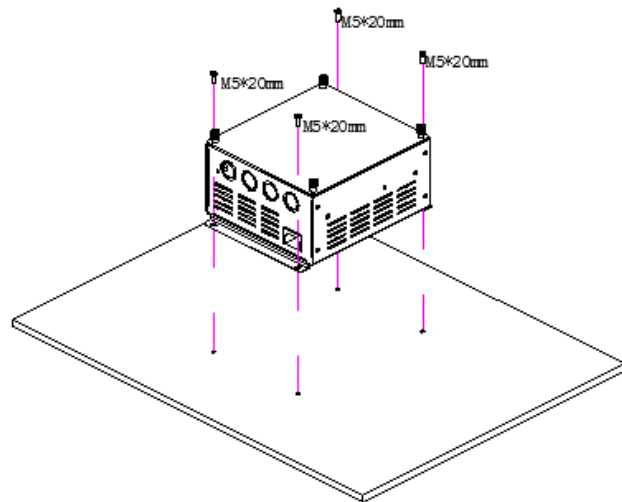
		[5]2	CW-25%
		[5]3	CW-50%
		[5]4	CW-75%
		[5]5	CW-100%
		[5]6	
12	Communication port	[4]1	Wake-up
		[4]2	GND
		[4]3	GND
		[4]4	+12V
		[4]5	CAN H
		[4]6	CAN L
13	DIP Switch	1 VCR	Set the battery type, VCR and Mode
		2 Mode	
		3 Bat type	
		4 Bat type	

4.2 Installation

Ensure the space (at least 3-5cm on the left and right side) beside the LMP1218 unit for the good ventilation.



Vertical Installation



Horizontal Installation

Figure 4 Installation

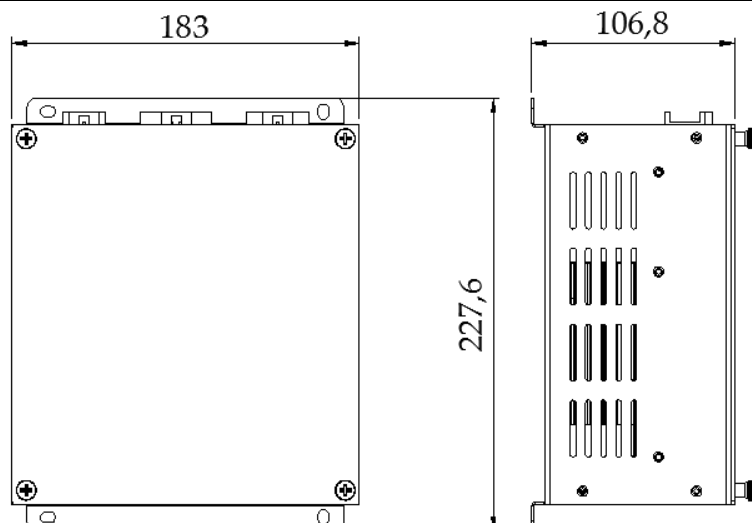


Figure 5 Dimensions of LMP1218

4.3 Fuse specification

Here is a list for the fuses installed on LMP1218. Please also take reference of Figure 2.

Table 4 Fuse specification list

Fuse No.	DC loads	Specification
F2	Awning light	5A
F3	Pump	7.5A
F4	Auxiliaries	10A
F5	Oven	10A
F6	Lighting 1	10A
F7	Lighting 2	10A
F9	USB Socket Bedroom	10A
F10	USB Socket Kitchen	10A
F11	12V Socket Kitchen	15A
F12	Permanent SAT Antenna	10A
F13	Permanent Autoradio	15A
F14	Permanent Heating System	10A
F15	Permanent TV-Demodulator	10A
F16	Lifting Bed	25A
F18	Permanent Fridge	20A
F19	Footboard	20A
F20	AUX BAT	50A
F21	Motor BAT	50A
F1	By-pass Pump	25A
F8	By-pass Lighting	25A
F17	By-pass Lifting	25A

5. OPERATION

5.1 Configuration on LMP1218

You could set the battery type, VCR and Mode through LMP1218 master power unit.

5.1.1 Dip switch setting

There are dip switches for you to set VCR mode, Working mode and Battery type.

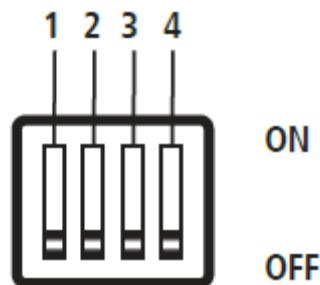


Figure 6 Dip switch

Table 5 Dip switch definition

DIP SWITCH	1	2	3	4
	VCR mode	Working mode	Battery type	

5.1.1.1 Dip switch for VCR mode and Working mode

Table 6 Dip switch for VCR mode and Working mode selection

VCR mode	off	Built-in VCR (Default setting)
	on	Ex-DC/DC
Working mode	off	Charger (Default setting)
	on	Power supply

a) VCR mode

There are two VCR modes for optional:

- Integrated VCR: when this mode is selected, the integrated VCR is activated, i.e. 18A
- Ex-DC / DC: When this mode is selected, the integrated VCR is deactivated; and an IDM NEMO type external DC-DC booster can be connected to replace this integrated VCR

Caution If Booster set the VCR to ON and only for LEP lithium batteries

b) Working mode

There are two working modes for optional:

- Charger: When this mode is selected, the LMP will operate as a charger to charge the auxiliary battery as long as the network or qualified PV is introduced
- Power supply: when this mode is selected, the LMP will produce a stable voltage of 12.8 Vdc to power the connected DC loads

5.1.1.2 Dip switch for battery setting

Table 7 Dip switch for battery type setting

Battery type		
off	off	AGM
off	on	GEL
on	off	LEP

5.1.2 External Battery Switch

LMP1218 offers a possibility to connect with a external battery switch, which allows user to turn on/off the auxiliary battery output remotely.



Figure 7 Battery switch

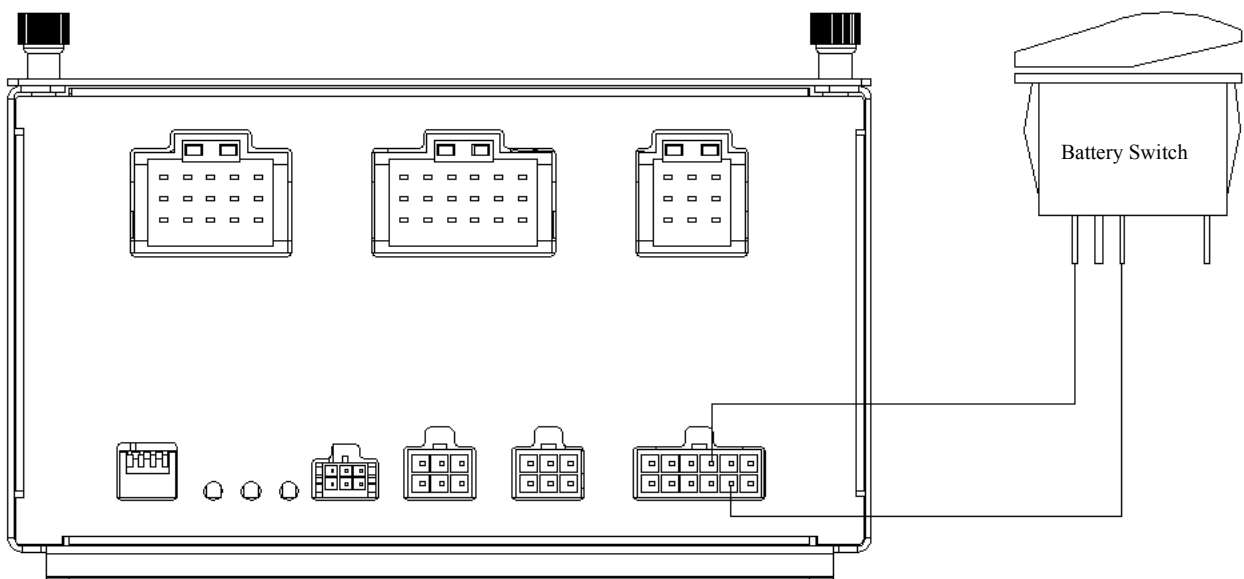


Figure 8 Wiring diagram of battery switch

5.2 Daily Maintenance

- Confirm the Battery Switch is switching on when you want to charge the battery with the AC grid.
- Check the nominal battery voltage is 12Vdc.
- When replacing the existing battery with a new one, please have the new battery fully charged by Grid for the first time to calibrate a precise battery SOC.