

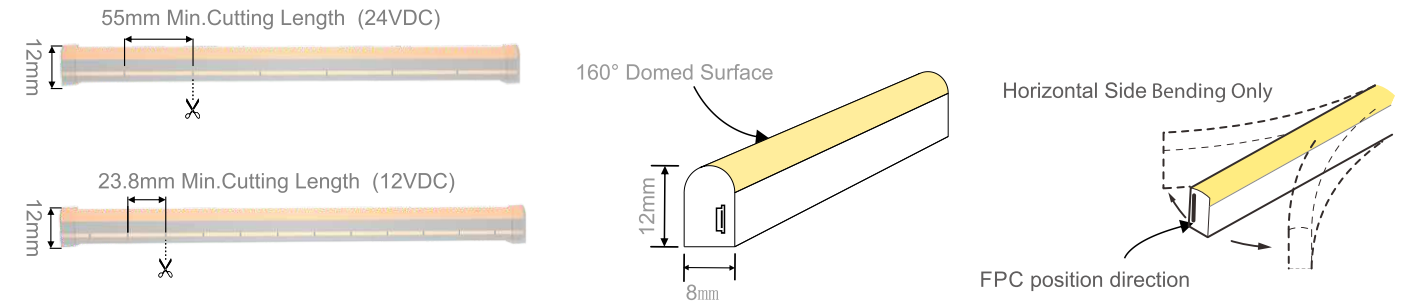
LED Flexible Neon Strip Light

0812C

Applications

It is widely used in hotels,clubs,conference rooms,living rooms,etc.

physical specifications

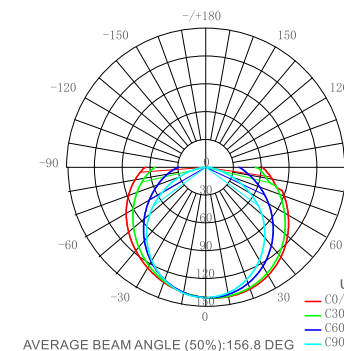


specifications parameter

IP65 CE

Model	XK0812C SERIES
Input voltage	24/12VDC
Power (lm/W)	11W/10W
Lumens (lm/m)	>450lm
CCT/Color	R B G A O P WW NW CW
CRI	>70; >80; >90;
FPC light direction	Vertical
LED type	SMD 2835
LED Qty/m	126LEDs
Min.cutting unit	7LEDs/3LEDs
Size	W8*H12mm
Working temperature	-20℃~60℃

Light distribution curve



Height	Center illumination(lux)	Center height(m)	Average illuminance(lux)	Beam angle	Diameter
1.0	48.63;132.0lx	269.01cm			
2.0	10.89;31.32lx	538.01cm			
3.0	4.52;13.12lx	807.02cm			
4.0	2.561;8.47lx	1076.03cm			
5.0	1.49;4.56lx	1345.04cm			