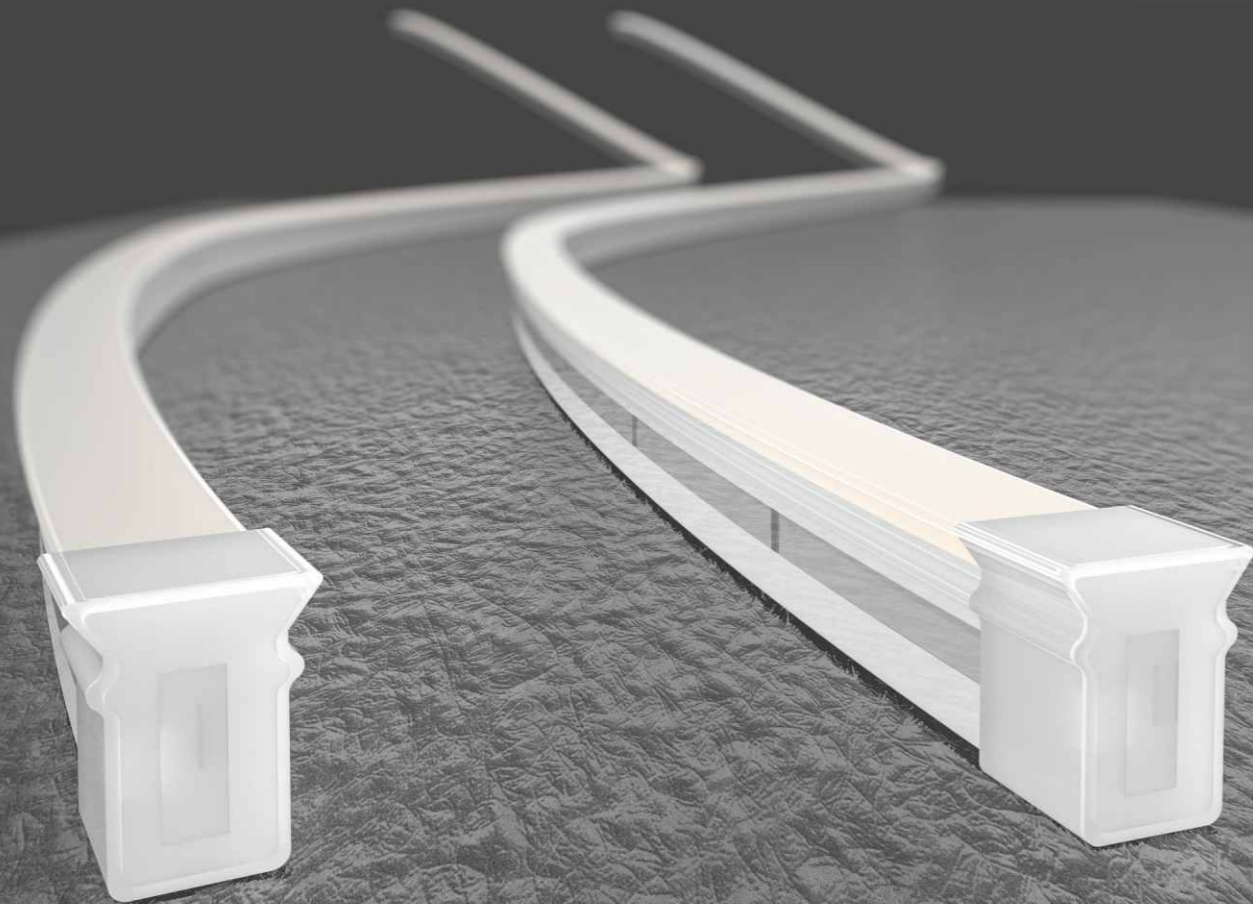


# 0508

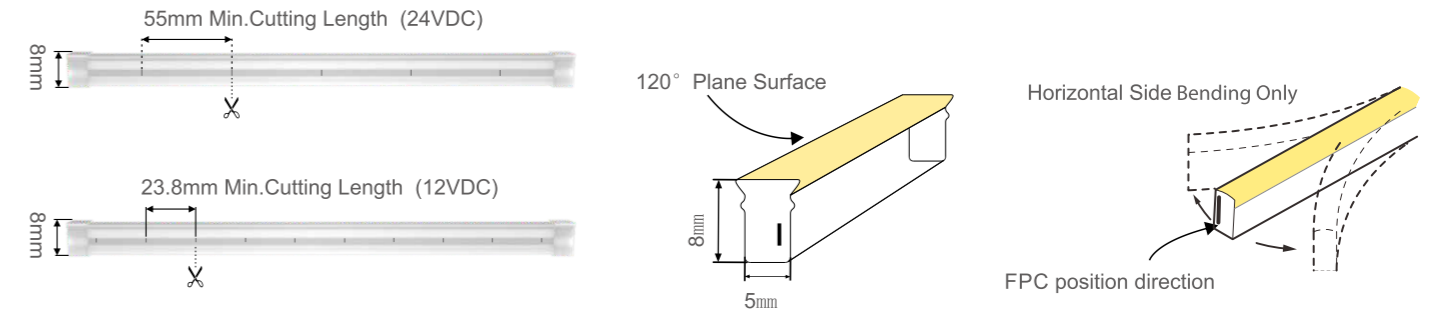
LED Flexible Neon Strip Light

The product adopts the principle of side light, single-sided light to fully display the linear effect appearance.refined.silicone two-color one-piece side light emitting small size industry's most perfect structural design.cutting free.with no light spot design . high quality and high efficiency.



**Xneons**

## physical specifications



## specifications parameter

IP65 CE RoHS

Model	XK0508 SERIES
Input voltage	24/12VDC
Power (lm/W)	8W
Lumens (lm/m)	>380lm
CCT/Color	R B G A O P WW NW CW
CRI	>70; >80; >90;
FPC light direction	Vertical
LED type	SMD 2835
LED Qty/m	126LEDs
Min.cutting unit	7LEDs/3LEDs
Size	W5*H8mm
Working temperature	-20 C ~60 C

## Light distribution curve

