

0511

Minimum

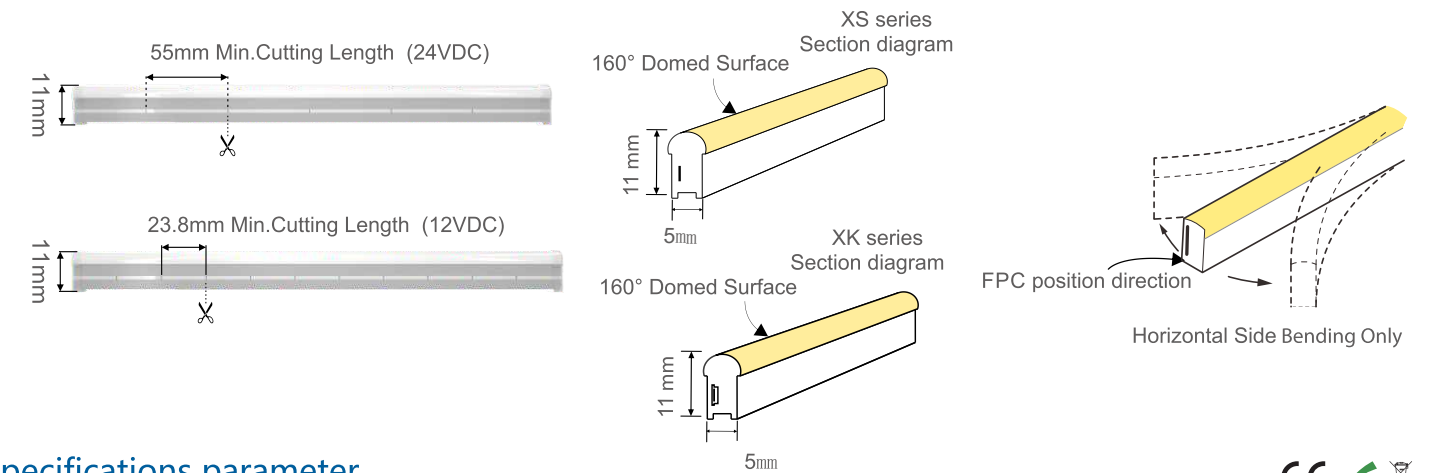
LED Flexible Neon Strip Light



Can customize different colors



physical specifications

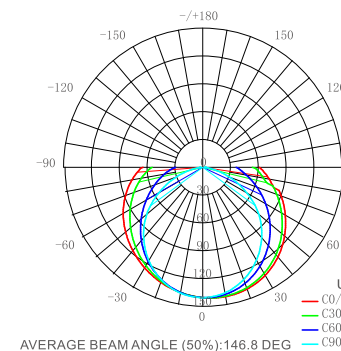


specifications parameter



Model	XS0511/XK0511 SERIES
Input voltage	24/12VDC
Power (lm/W)	11/10W
Lumens (lm/m)	>500lm
CCT/Color	R B G A O P WW NW CW
CRI	>70; >80; >90;
FPC light direction	Vertical
LED type	SMD 2835
LED Qty/m	126LEDs
Min.cutting unit	7LEDs/3LEDs
Size	W5*H11mm
IP rating	IP68/IP65
Working temperature	-20°C~60°C

Light distribution curve



Height	Center illumination(lux)	Center height(m)	Average illuminance(lux)	Beam angle	Diameter
1.0	49.96;142.0lx	269.01cm			
2.0	12.49;35.50lx	538.01cm			
3.0	5.55;15.78lx	807.02cm			
4.0	3.123;874lx	1076.03cm			
5.0	1.999;5.680lx	1345.04cm			